

# VISUAL Z-ATS HV OR HVE GUIDE



## HOW TO BUILD A Z-ATSHV OR HVE

It's easy to build a Zonit Z-ATS SKU. A **uATS1-HV-YaC13-6-zC14-6** makes more sense once you know the 5 key pieces of information that it identifies. Here is how it works.



### 1 Z-ATS model

**HV**  
208-240V  
60Hz  
8 AMPS

OR

**HVE**  
230-240V  
50Hz  
8 AMPS

### 2 Output type

For integrated C13 receptacle without cord  
LEAVE **2** & **3** BLANK



Receptacle type (female)



YC15



YaC13

YC13

For single

1'-0" output cord

ADD a Y & Output Type

OR

### 3 Single output cord length

For standard 1'-0" output cord,  
LEAVE BLANK.

For optional 6'-0" output cord,  
ADD A **6**.

### 4 Dual input plug (male) types

For HV and HVE Models



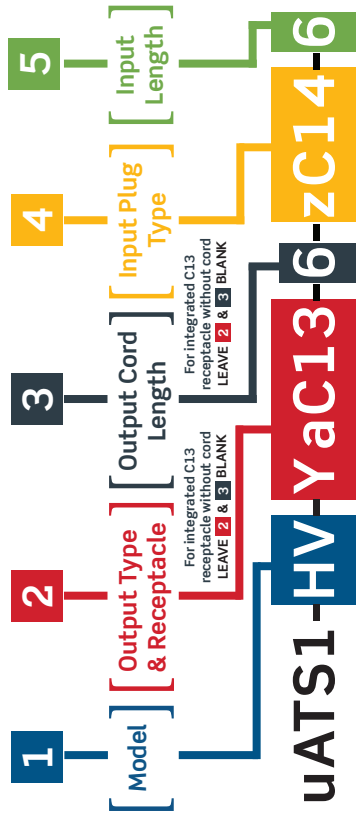
C14

zC14

### 5 Length of dual input cords

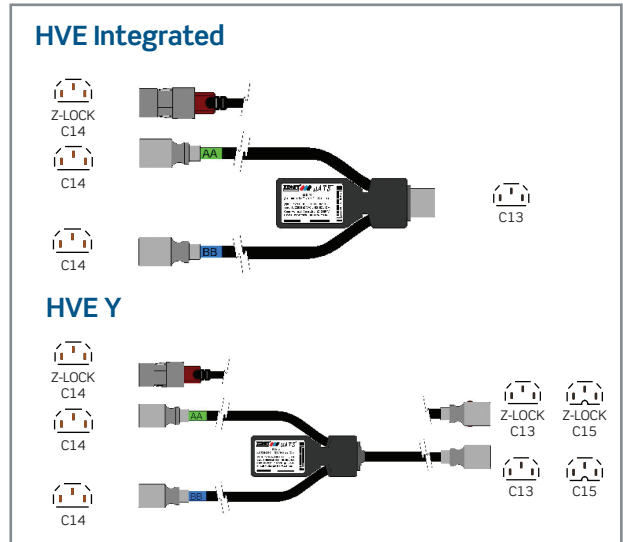
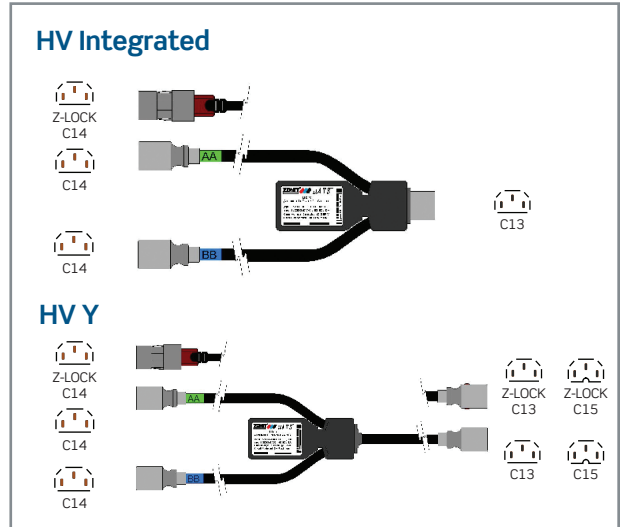
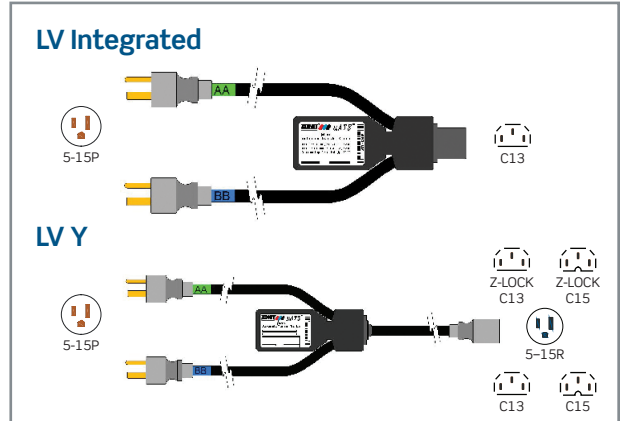
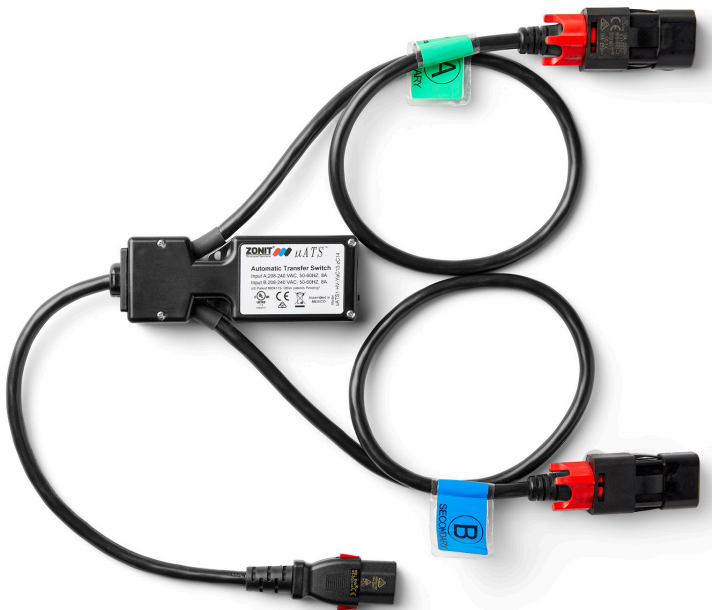
For 2'-0" input cords  
LEAVE BLANK.

For 6'-0" input cords,  
ADD A **6**.



# STANDARD Z-ATS MICRO PART NUMBERS

Product Code	Product Name
LV	uATS1-LV-515-6
	uATS1-LV-Y515-515-6
	uATS1-LV-YaC13-515-6
	uATS1-LV-YC13-515
	uATS1-LV-YC13-515-6
	uATS1-LV-YC15-515
	uATS1-LV-YC15-515-6
uATS1-LV-Y515-515	
HV	uATS1-HV-C14-6
	uATS1-HV-YaC13-zC14
	uATS1-HV-YaC13-zC14-6
	uATS1-HV-YC13-C14
	uATS1-HV-YC13-C14-6
	uATS1-HV-C14
	uATS1-HV-YaC13-6-zC14-6
uATS1-HV-YC15-C14-6	
HVE	uATS1-HVE-YC13-C14
	uATS1-HVE-YC13-C14-6



Please visit [www.zonit.com](http://www.zonit.com) to watch product videos, view configuration options, or to get more technical information about the revolutionary Z-ATS Industrial.



1790 30th Street | Suite 140 | Boulder, CO | 80301  
720.266.0050 | [info@zonit.com](mailto:info@zonit.com)